

POWERFLEX®

PART NUMBER

PFF75K-501

DESCRIPTION

FRONT LOWER FORE LINK

INSTALLATION GUIDE

Contents (parts per pack):

1x Left Arm Fitted With Bush	1 x PTFE/Silicone Grease
1x Right Arm Fitted With Bush	2 x Stainless Steel Sleeves
4 x Zinc Plated Mild Steel Washers	

Please read the complete fitting instructions and check package components before fitment. These fitting instructions are to be used as a guide and in conjunction with workshop manual.

It is recommended that:

- all work to be carried out by a licensed technician;
- all safety precautions adhered to;
- wheel alignment to be checked and adjusted as required after any suspension work.
- All fasteners must be tensioned to manufacturer's torque settings.



Fitting Instructions:

1. Apply the supplied grease to the knurled bore and end faces of the polyurethane bushes.
2. Insert the stainless steel sleeves until flush with the bush end faces.
3. Place a mild steel washer on both faces of the bush.
4. Refit the arm to the vehicle and tension all hardware to manufacturers recommended torque settings.

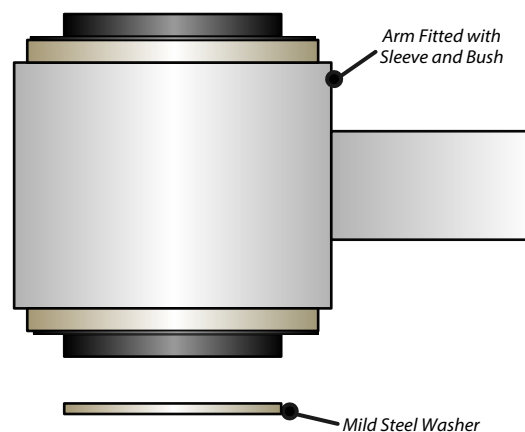
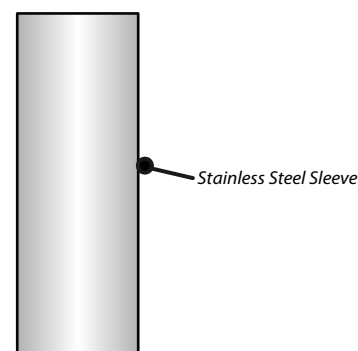


Figure 1