

POWERFLEX®

PART NUMBER

PFF73-402

DESCRIPTION

LOWER ARM REAR BUSH

INSTALLATION GUIDE

Contents (parts per pack):

2 x PFF-73-402 Bushes 1 x PTFE/Silicone Grease
2 x Stainless Steel Sleeves

Please read the complete fitting instructions and check package components before fitment. These fitting instructions are to be used as a guide and in conjunction with workshop manual.

It is recommended that:

- all work to be carried out by a licensed technician;*
- all safety precautions adhered to;*
- wheel alignment to be checked and adjusted as required after any suspension work.*
- All fasteners must be tensioned to manufacturer's torque settings.*

Fitting Instructions:

1. Remove the original rear bush from the arm, remembering to clean away any dirt and corrosion.
2. Using a press, push the smaller diameter of the bush into the top, radiused part of the arm. It is strongly recommended to use dish soap in order to ease fitting.
3. Apply some of the supplied grease to the bore of the bushes.
4. Insert the Stainless Steel Sleeve into the bore until it sits flush.
5. Refit the arm to the subframe, remembering to tension all hardware to manufacturers recommended torque settings.

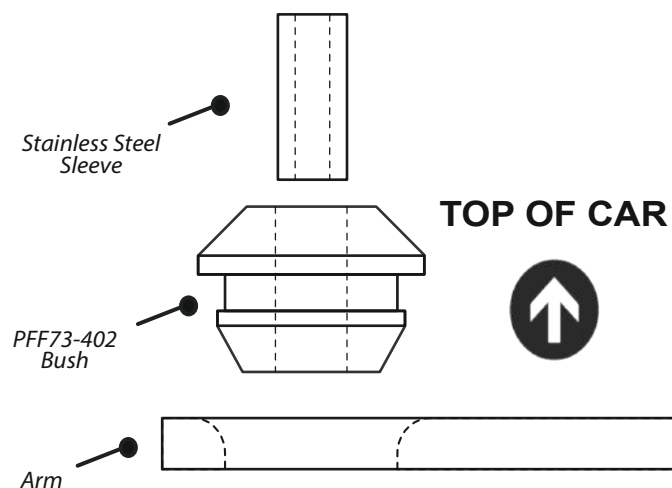


Figure 1