

POWERFLEX®

PART NUMBER

PFF5-1901G

DESCRIPTION

FRONT RADIUS ARM TO CHASSIS CASTER ADJUSTABLE BUSH

INSTALLATION GUIDE

Contents (parts per pack):

2 x Polyurethane Bushes 1 x PTFE/Silicone Grease
2 x Stainless Steel Sleeves 4 x Mild Steel Outer Shells
2 x Zinc Plated Washers

Please read the complete fitting instructions and check package components before fitment. These fitting instructions are to be used as a guide and in conjunction with workshop manual.

It is recommended that:

- all work to be carried out by a licensed technician;
- all safety precautions adhered to;
- wheel alignment to be checked and adjusted as required after any suspension work.
- All fasteners must be tensioned to manufacturer's torque settings.

Fitting Instructions:

1. Remove the arm from the vehicle and press out the original bush including outer shell.
2. Clean any dirt and corrosion from the bore of the arm, removing any sharp edges or burrs around the bore with a rounded file.
3. Press the plated steel outer shells into each side of the arm, until sitting flush to the face of the arm.
4. Apply some washing up liquid to the bore of the shells and press the polyurethane bush in until fully through the arm.

Tip: If you are having trouble pressing the bush in, try pressing the bush in at a slight angle so that one part of the lip is already in the bore of the shell, and when steady pressure is applied, the rest of the lip should follow.

5. Apply some of the supplied grease to the bore and the mounting faces of each bush.
6. Add the supplied washer to the stainless steel sleeve and insert the sleeve into the bush. The washer will sit between the sleeve head and bush face.
7. For maximum camber use a 26mm spanner to rotate the sleeve so that the bore is positioned as shown in figure 2.
8. Refit the arm and tension all hardware to manufacturers recommended torque settings.

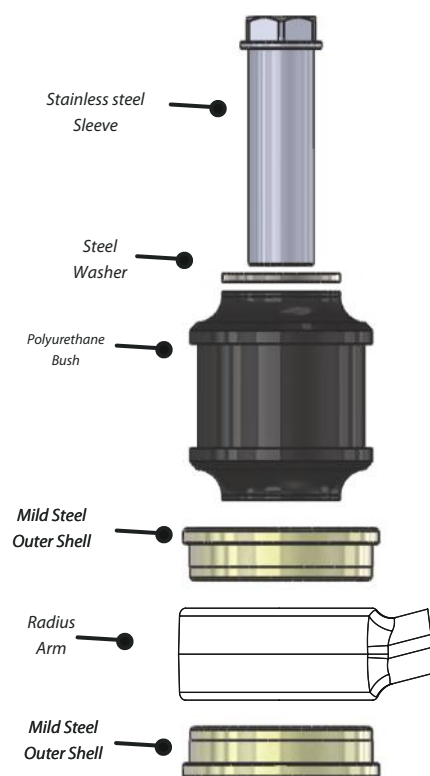


Figure 1

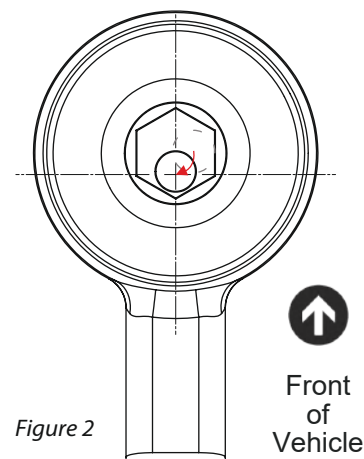


Figure 2