

INSTALLATION GUIDE

Contents (parts per pack):

- | | |
|----------------------------|-------------------------|
| 2 x Polyurethane A bush | 2 x Polyurethane B bush |
| 2 x Stainless Steel Sleeve | 1 x Spanner |
| 1 x Grease | |

Please read the complete fitting instructions and check package components before fitment.

These fitting instructions are to be used as a guide and in conjunction with workshop manual.

It is recommended that:

- all work to be carried out by a licensed technician;
- all safety precautions adhered to;
- wheel alignment to be checked and adjusted as required after any suspension work.

All fasteners must be tightened to manufacturer's torque settings.

Fitting Instructions:

1. Remove the original bush from the arm.
2. Clean any dirt and corrosion from the bore in the arm. Remove any sharp edges from the bore of the arm.
3. Insert bushes into bore of the arm with polyurethane A bush (larger lip) fitting from the inside of wishbone, as shown in *Figure 1*.
4. Apply grease into bore of the bush and around top face. Fit sleeve into bush with machined face flush against polyurethane B bush (smaller lip) as shown in *Figure 1*.
5. Re-fit arm to the car. Tension all hardware to manufacturers recommended torque settings.
6. Test drive the vehicle and perform full wheel alignment check and adjustment.

To adjust camber, loosen front bush mounting bolt and rotate the sleeve using the supplied spanner to achieve desired camber angles, for maximum camber, position the bore of the sleeve towards the middle of the car, as shown in *Figure 2*. Re-tighten hardware to recommended torque settings.

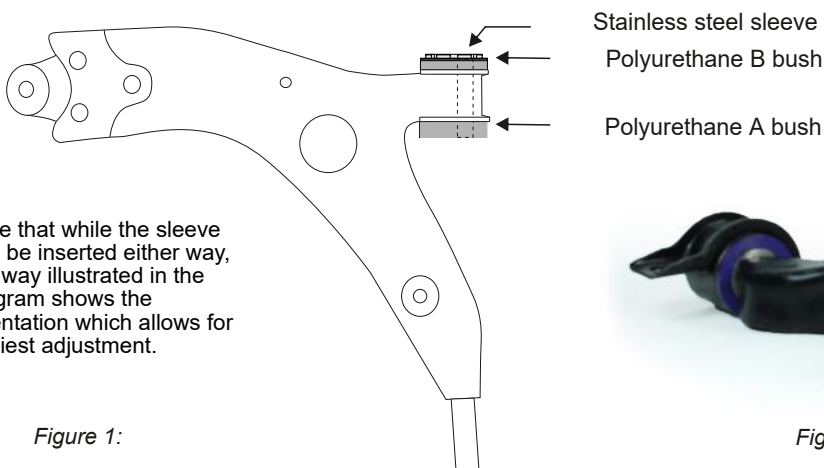


Figure 1:

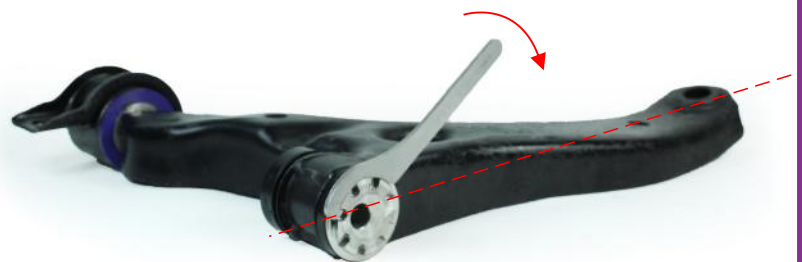


Figure 2: